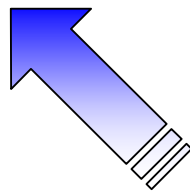
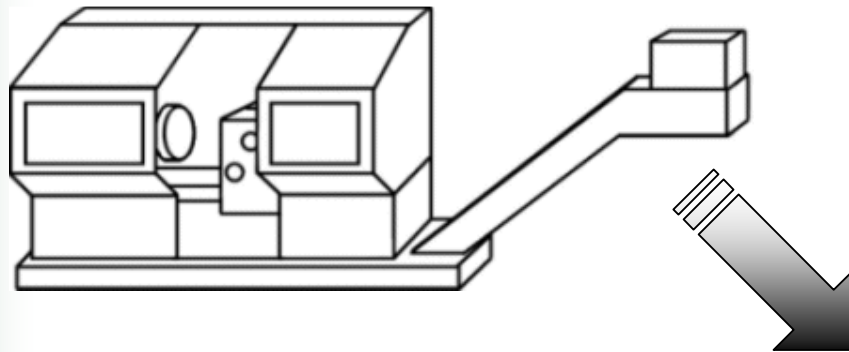


## Flat Bed Filtration Unit

FM-RWS



**Filtrates automatically solid particles such as grinding sediments, forging scales, sludge etc. from:**

- coolant used in machine tools and grinding machines
- waste water plants etc.

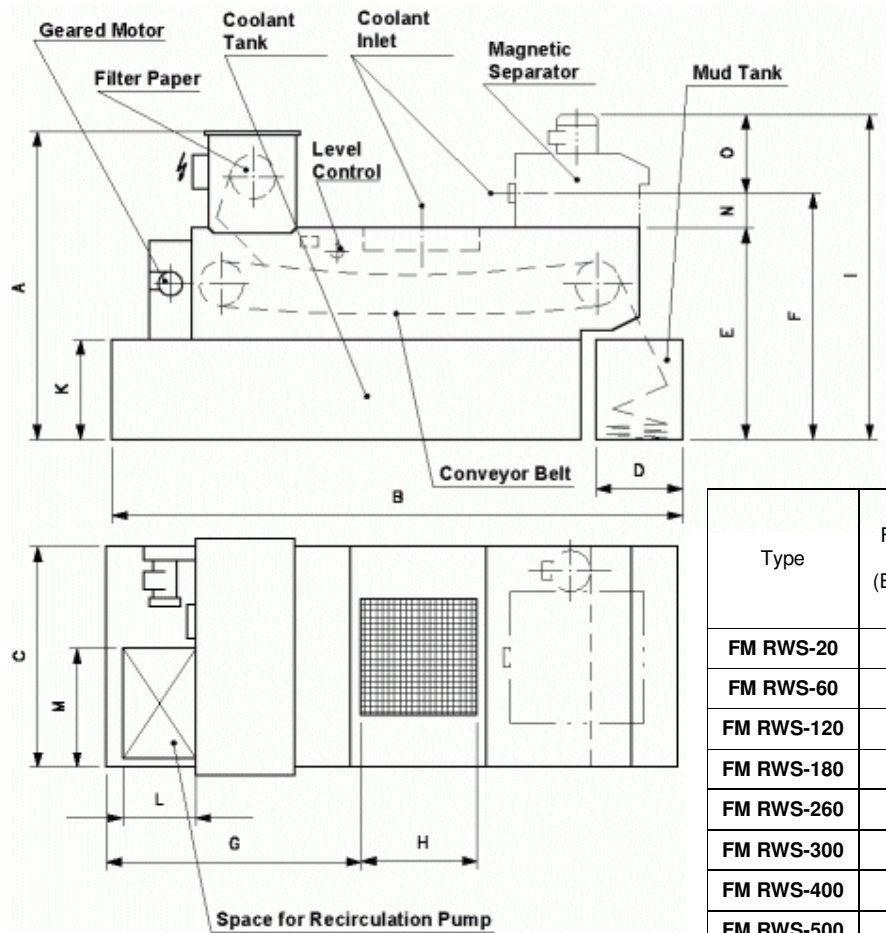
## Automatic filtration system FM-RWS using filtration paper

This system allows the use of different qualities of filtration paper which makes it extremely flexible for the user.

The filtration procedure takes place in a flat bed basin with a hydrostatic pressure of about 60 mm. The filtration paper is supported by a woven steel conveyor belt thus preventing it from being torn apart.

**Function:** The coolant with the contamination from the machine tool is directed onto the filter paper, where impurities are held back. The clean coolant passes the filter paper and is discharged over the full area downwards to the emulsion tank. As soon as the filter paper gets clogged the level of the liquid rises and switches on the float. This actuates the geared motor of the conveyor belt which moves the paper forward allowing the liquid to pass again through the free part of the filter. This procedure operates automatically. The dirty filter paper is discharged into the waste container which is part of the unit. The given filter efficiencies are to be seen as a guide only. Actual requirements of filter specification are calculated after taking into consideration all provided data.

**Required data are:** Throughput, medium, grade of filter paper, intake concentration, material & type of waste particles.



Type	Max. Flow in l/min (Emulsion)	Volume of coolant tank (Larger sizes on request)	Types with magnetic separator installed: <b>FM RWS -</b>
<b>FM RWS-20</b>	25	50	-
<b>FM RWS-60</b>	60	120	60/MA
<b>FM RWS-120</b>	120	170	120/MA
<b>FM RWS-180</b>	180	255	180/MA
<b>FM RWS-260</b>	260	550	260/MA
<b>FM RWS-300</b>	300	1400	300/MA
<b>FM RWS-400</b>	400	1900	400/MA
<b>FM RWS-500</b>	500	2400	500/MA

Type	A	B	C	D	E	F	G	H	I	K	L	M	N	O
<b>FM RWS-20</b>	485	890	380	200	335	-	490	130	-	185	below paper roll	-	-	-
<b>FM RWS-60</b>	626	1280	500	200	373	503	550	178	738	236	165	300	125	235
<b>FM RWS-120</b>	680	1630	577	300	430	555	770	250	790	220	220	400	125	235
<b>FM RWS-180</b>	680	1770	790	300	430	555	747	250	790	220	240	500	125	235
<b>FM RWS-260</b>	810	2334	790	320	560	685	1439	250	920	350	244	550	125	235
<b>FM RWS-300</b>	830	3700	1250	400	550/850	675	1070	400	910	350	300	900	125	235
<b>FM RWS-400</b>	830	4800	1250	400	550/850	675	1070	400	910	350	300	900	125	235
<b>FM RWS-500</b>	830	5900	1250	400	550/850	675	1070	400	910	350	300	900	125	235

